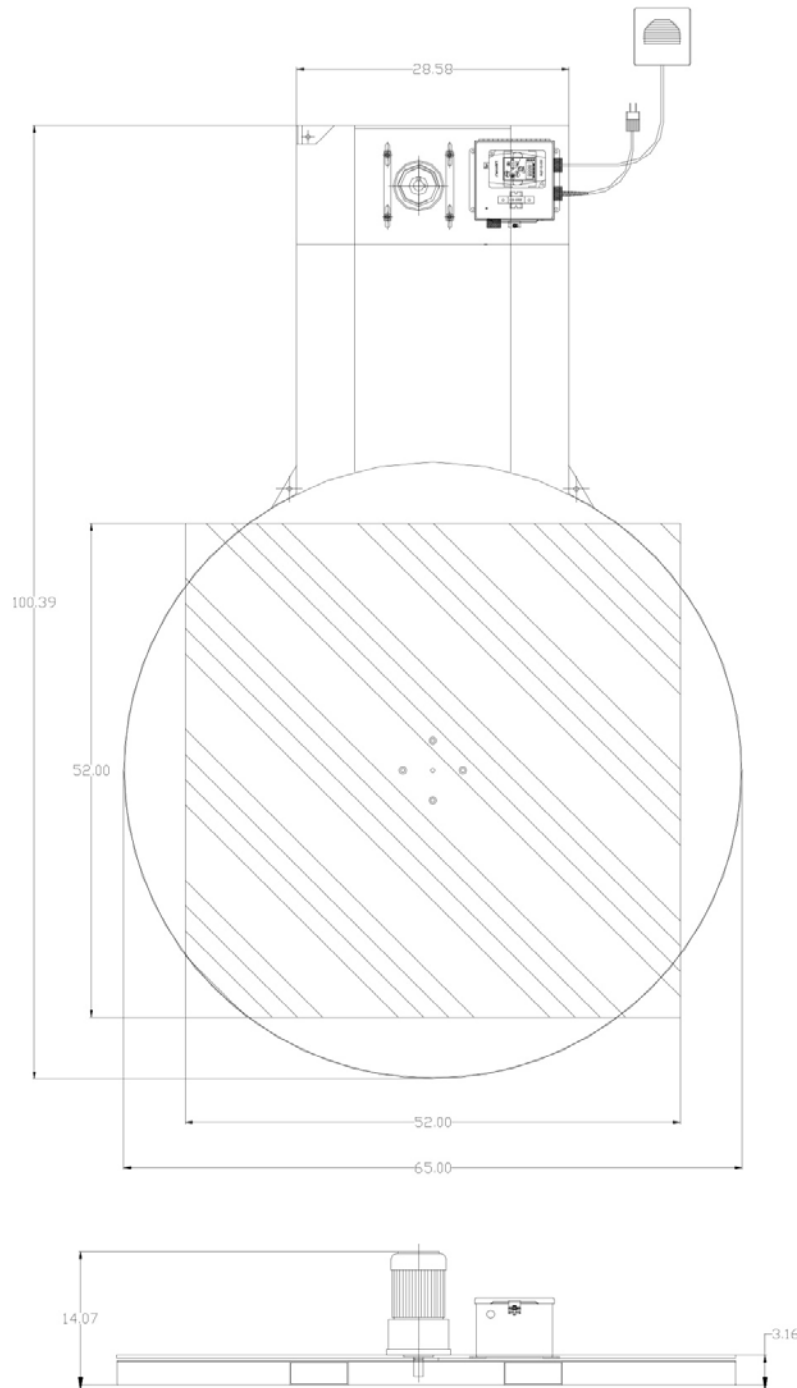


# PREDATOR UX LOW PROFILE TURNTABLE



## STANDARD SYSTEM SPECIFICATIONS\*

Turntable Drive Motor..... 1/2 HP AC  
Turntable Speed..... Adjustable to 12 RPM  
Standard Capacity..... 4,000 Pounds  
Standard Machine  
Shipping Dimensions..... 67" W, 100" L, 24" H  
Standard Machine Shipping Weight ..... 845 Pounds

\* Specifications subject to change without notice.